



*“keeps your materials handling  
on track”*

## SINGLE LINE CONVEYOR

### TYPE S180 & S270 (C-Hook)

The flexible and reliable system for demanding materials handling in tough working environments.

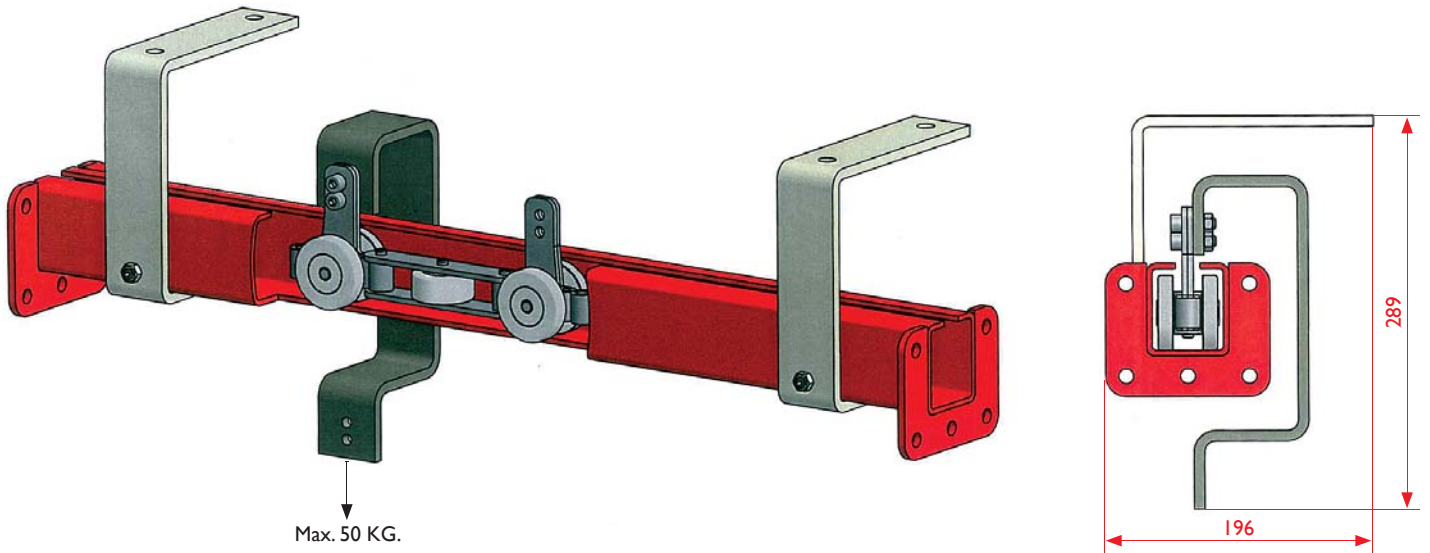
The single line conveyor, type S180 and S270:

- can be used as a storage facility between different steps in the production flow
- is the perfect system for transportation of items through working processes in the plant
- only requires a minimum of maintenance and user training

The consequent use of tested high quality components increases functional dependability and lifetime of the system.

The use of easy combinable, modular standard components offer various customized solutions.

More than 30 years experience in solving handling problems, and our expert assessment of user's needs, will ensure that the design chosen contributes fully to a cost effective overall system.



### Specifications:

The single line conveyor type S180 and S270 consists of a standard Caldan profile, combined with horizontal and vertical curves.

A cardan chain with fixed carriers is driven in the standard profile - the chain is powered by one or several drive units, with fixed or variable speed.

The items are conveyed suspended either directly from the carriers, or in specially constructed suspension devices/work jigs (customized designs).

To avoid contamination of the work pieces (e.g. drops of oil or dirt) the single conveyor can be delivered with the track opening upwards. C-hooks are then attached to the cardan chain to carry the work pieces.

Typical suspension versions are e.g.:

- one point turning device, with or without fixation
- load bar attached to 2 or 4 chain carriers

### Technical data:

Chain pitch - type S150 / S180 / S200:

150 mm / 180 mm / 200 mm

Chain pitch - type S270 / S300:

270 mm / 300 mm

Chain bearings:

Open or sealed and greased version

Max. chain pull:

400 kg

Max. temperature (surroundings):

250°

Max. load per carrier:

50 kg

Max. load per load bar, 8-wheeled:

200 kg

Standard length, straight profile:

6.000 mm. Available equipped with flanges

Horizontal curves - type S150 / S180 / S200:

Degree: 90° / 45° / 30° / 15°

Radius: 315 / 500 / 700 / 1.000 mm

Vertical curves - type S150 / S180 / S200:

Degree (depending on work-load): 15° / 30° / 45° / 90°

Radius: 700 / 1.000 mm

Horizontal curves - type S270 / S300:

Degree: 90° / 45° / 30° / 15°

Radius: 700 / 1.000 mm

Vertical curves - type S270 / S300:

Degree (depending on work-load): 15° / 30° / 45° / 90°

Radius: 1.000 mm

All horizontal / vertical curves can be manufactured in special radii on request

Drive unit:

Straight version with double or single sided caterpillar drive or 90° version with driving wheel. Gear motor with fixed or variable speed

Tension unit:

Manual or pneumatic/ weight-loaded

Pneumatic lubrication:

Semi- or fully automatic version. Point- or fog lubrication of the cardan chain